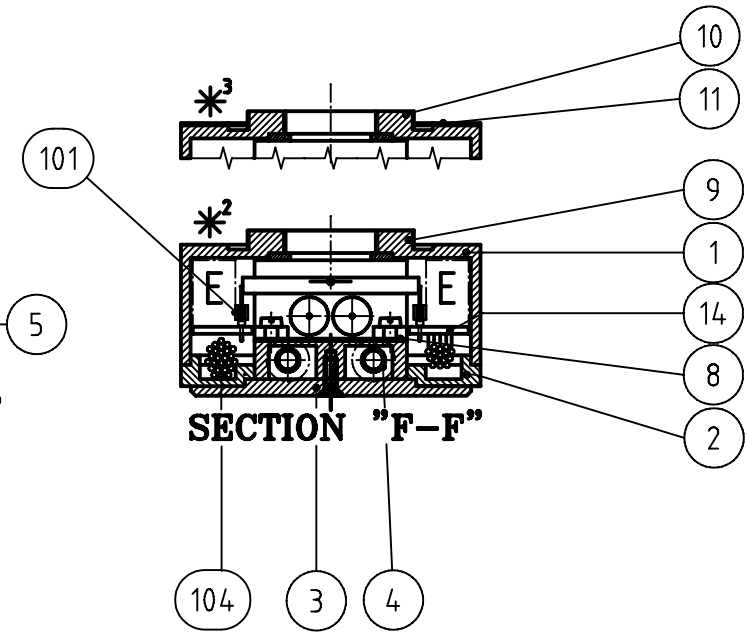
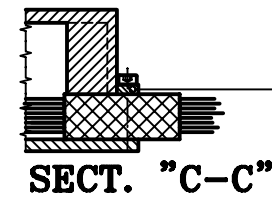
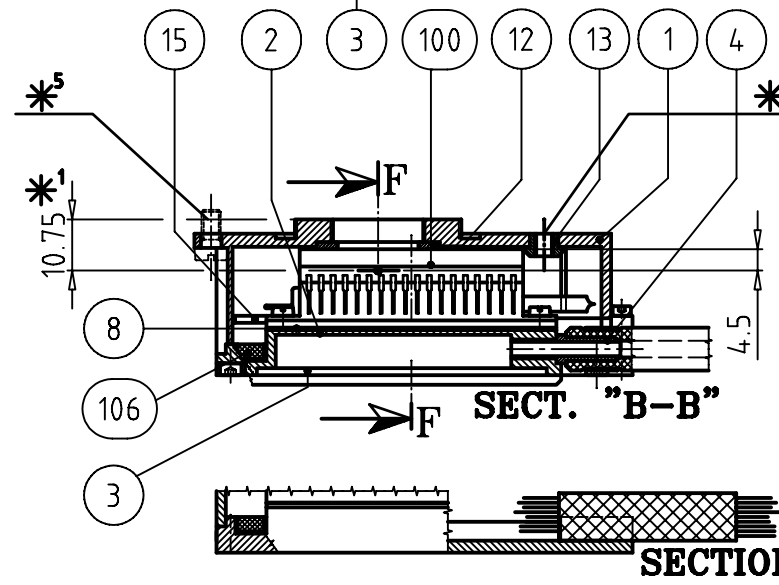
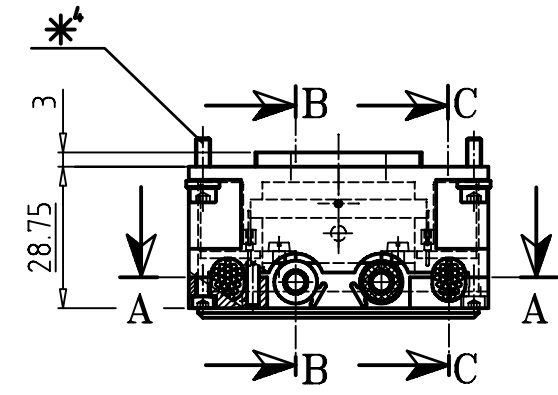
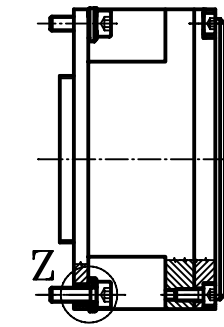
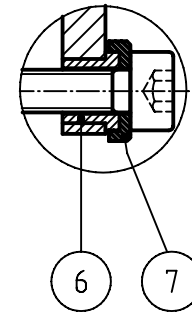
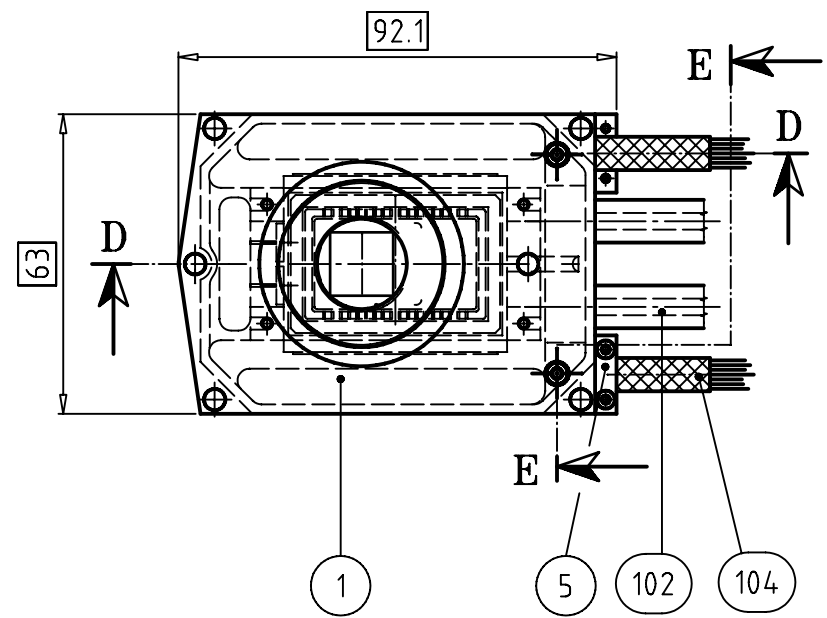
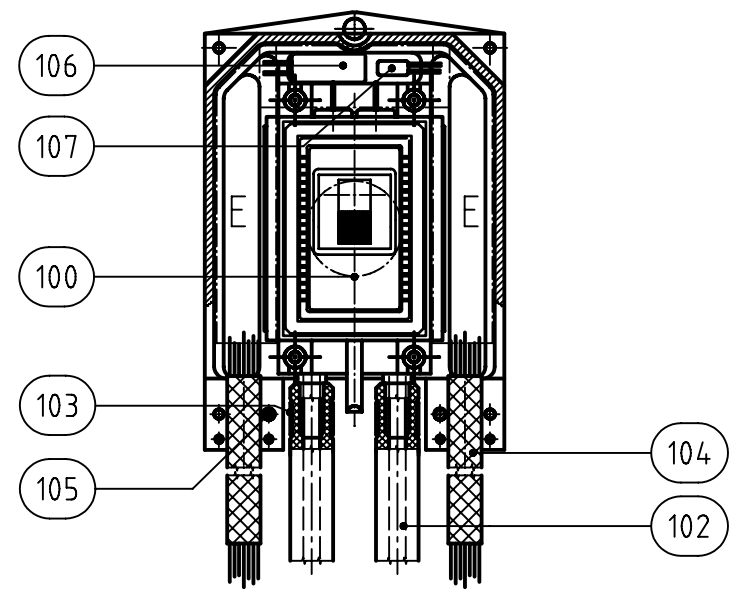


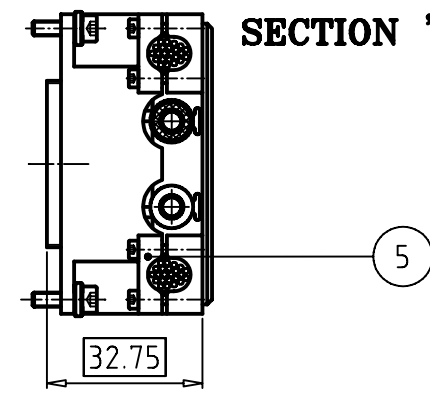
DETAIL "Z"



SECTION "A-A"



SECTION "E-E"



not everything to scale

- *¹ PHYSICAL DIMENSION = 10.75 MM
OPTICAL DIMENSION = 10MM (WINDOW REFRACTION !)
- *² VERSION A WITH THREAD
- *³ VERSION B WITH INSULATION
- *⁴ FIXATION VERSION I
- *⁵ FIXATION VERSION II
- *⁶ FIXATION VERSION III

LA SILLA OBSERVATORY	DESIGNED	NAME	DATE	MATERIAL	CHN CODE	
	DRAWN	W.ECKERT	01.04.04		PAO-COL-ESO-INS-939.00.00	
	CHECKED			DIM.	PROJECT NGTCCD	
	MODIFICATIONS		SCALE	NAMING		
	NAME	DATE	1:1	NEW TCCD 47-20		
	ECKERT	30.10.05		SUBPROJECT CCD HEAD		
	ECKERT	28.03.06	NUMBER OF PIECES	1	GENERAL TOLERANCE	
	ECKERT	31.03.04			DIN 7168	
	ECKERT	01.04.04	MEC NUMBER	INS-939.00.00		
	VERSION	1.1	COMMENTS	ASSEMBLY		
				Diskette: 584	A2	
				Autocad INS-9390000		